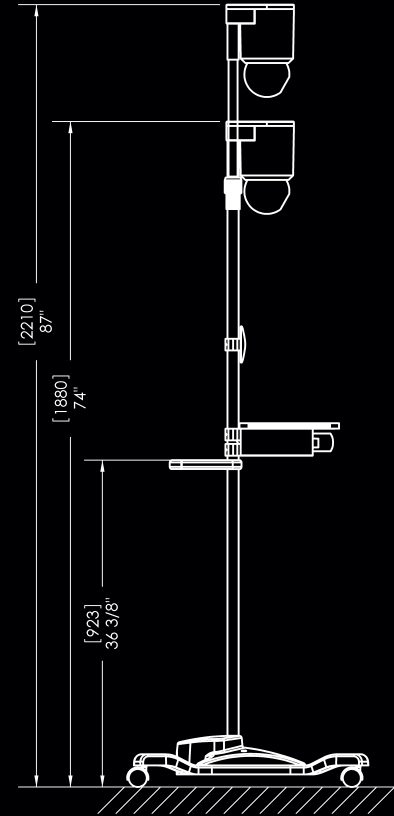


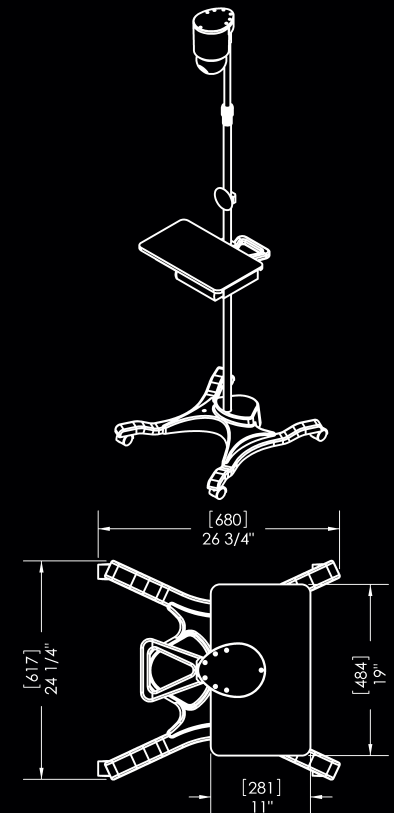
## SNC-RH124 Camera Specifications

Camera Specifications	Detail
IP/Analog	IP
Camera Type	HD Network Rapid Dome Camera
Type	Indoor 10x Optical Zoom
Image Device	HD CMOS
Effective Pixels	Approximately 2 Megapixel
Focal Length	f=5.1 to 51mm, 10X
Image Specifications	Detail
Image Size	1280 x 720, 1024 x 576, 800 x 480, 768 x 576, 640 x 480, 384 x 288, 320 x 240, 320 x 180
Compression Format	H.264, MPEG-4, JPEG
Frame Rate	H264/MPEG-4: 30 fps (1280 x 720) JPEG: 10 fps (1280 x 720) (Tentative)
Interface Specifications	Detail
Interface	10BASE-T / 100BASE-TX (RJ-45)
Network Specifications	Detail
Protocols	IPv4, IPv6, TCP/IP, ARP, ICMP, HTTP, FTP (client/server) SMTP, DHCP, DNS, NTP, RTP/RTCP, SNMP (MIB-2)
Number of Clients	10
Authentication	IEEE802.1X
System Requirements Specifications	Detail
Operating System	Windows XP, Windows Vista
Processor	CPU: Core2 Duo 2GHz or higher
Memory	1GB or more
Web Browser	Microsoft Internet Explorer Ver 6.0, Ver 7.0



## MD2GO Cart Specifications

Technical Data	Detail
Weight	31 lbs
Max. Camera Load Capacity	15 lbs
Telescoping Height Range	74 to 87 inches
Max. Camera Size (Diameter)	6.075 inches
Electrical	100-240V AC, 50-60 Hz, 60 Watts
Safety Factor	4-times pay load towards the yield strength according to EN60601
Color	2 colors: RAL 9010 Pure White - Gray



**SONY**  
make.believe



**Be at your patient's bedside, wherever you are.**

Sony's MD2GO™ remote HD IP camera system lets you communicate in real time with HD video anywhere, anytime.

**MD2Go**