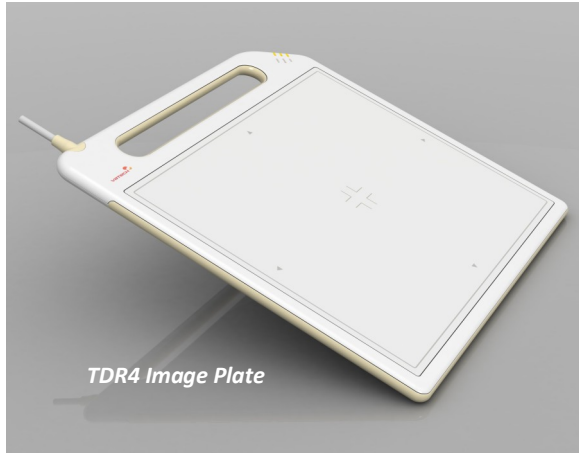




## Axis™ TDR4 System

Portable Digital Image Processing Unit

The most portable 14x17" DR detector - offering exceptional image quality and an economical transition from analog to DR



TDR4 Image Plate

### Superior Diagnostic Image Quality

A dynamic offset enhances the image resolution. Single panel design with eliminated 'butt' area improves image quality and produces more reliable images.

TDR4's "A-Si TFT active matrix" provides superior image resolution. It is guaranteed to provide constant, reliable performance under normal operating conditions.

### User-friendly Design

Its specially-designed handling grip makes it easy for users to carry it safely. This attention to detail and provision for safe-handling is a testament to the manufacturer's dedication to customer satisfaction and real world design applications. TDR4's small, lightweight control box ensures an easy integration with your existing x-ray system.

### Versatile Application

- Ambulatory Vehicles
- Field Hospitals
- Emergency Rooms
- Neonatal usage
- Mobile Imaging Businesses
- Users upgrading from a conventional X-ray System

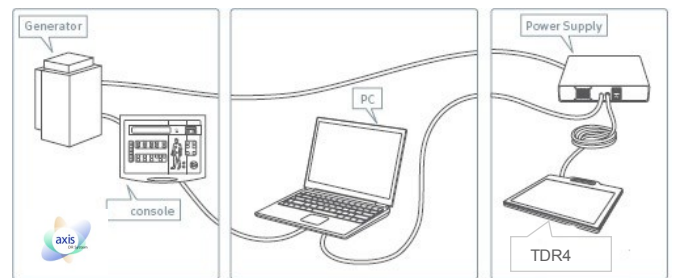
The state-of-the art TDR4 is an image processing unit developed with flat panel detector technology, providing superb image resolution through its 14x17" x-ray detector.

The portable size and weight (8.4lbs) offers many advantages. At only 15mm thick, the TDR4 makes upgrading your existing room fast and easy.



### Conventional Film size Flat Panel X-ray Detector

With dimensions equal to a conventional 14x17" film, the TDR4 System makes retrofitting your conventional x-ray system to "digital" by simply switching your conventional film cassette to the tethered TDR4 detector.

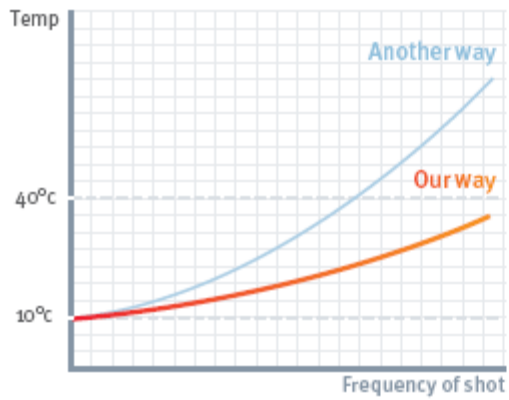


### A-Si TFT Technology

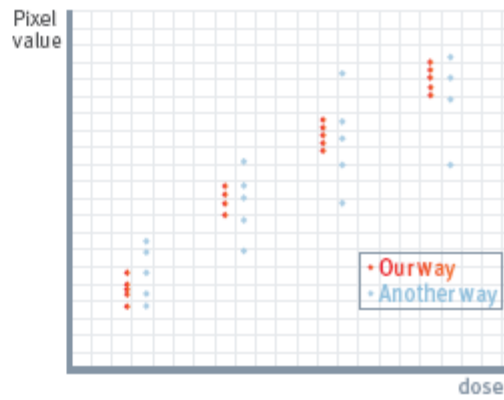
The TDR4 System is equipped with Samsung's FPXD designed A-Si TFT technology, which allows you to run the equipment under reliable conditions without stopping because it generates less heat. A-Si TFT technology provides you with constant pixel value which ensures acquisition of more accurate diagnostic images.

**A-Si TFT Temperature Graphic**

〈 A Temperature variation by the number of X-ray shot 〉



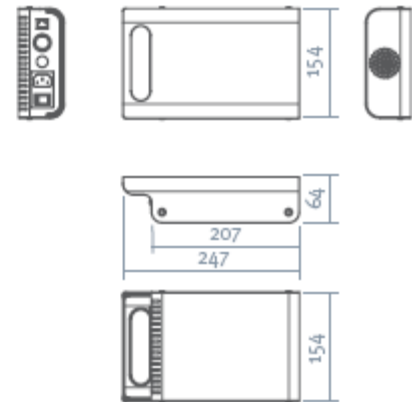
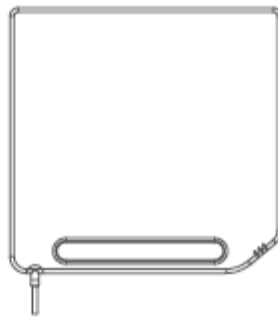
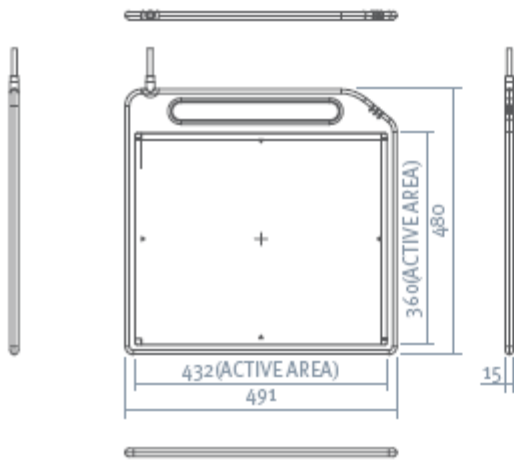
〈 Distribution Chart 〉



**Detector Dimensions**

**Detector**

**Power Supply**



**Specifications**

- Weight: 3.8 kg
- Thickness: 15mm
- Energy Range: 40-150kV
- Pixel Pitch: 150µm
- Effective Pixel Matrix: 2880 X 2400

For Sales Information Please Contact Your Local Dealer: