



## MasterRad Medical X-Ray room with Exprimer 14x17" Cesium Wireless DR System

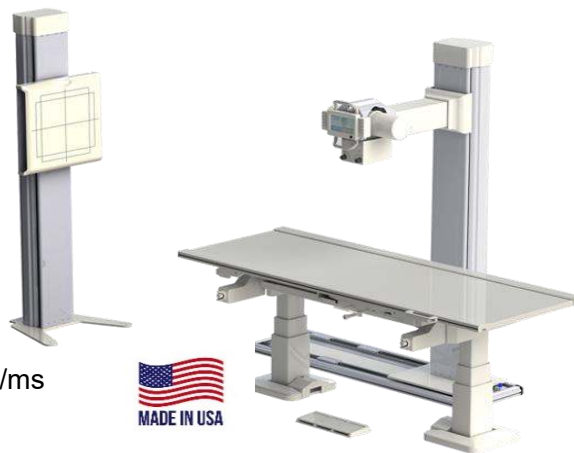
System Includes:

### Tube stand / Chest stand

- Tube Column Height: 84 inch
- Tube Vertical Travel Distance: 52 inches (24 inches to 76 inches from the floor)
- Floor Mount available with several horizontal travel distances
- 20 inch fixed Tube Arm
- Electromagnetic brakes control longitudinal and vertical movements
- Safety Stop Switch
- Floor-Mount, Chest Stand with 60 inch Vertical Travel Distance with reciprocating bucky
- 5 Year X-Ray Parts warranty

### CPI CMP200 Series Generator

- 32 KW, single phase
- 40 - 125 KV Range
- 10 - 400 mA Range
- 0.1 - 100mA Range
- Exposure Time Range 1 ms - 6.4 s
- Membrane Counsole
- APR - Anatomical Programing
- Technique Selection: kV/AEC, kV/mAs, kV/ma/ms
- 1 Year Manufacture's Parts warranty



### Toshiba X-Ray Tube

- Nominal Radiographic Tube Voltage - 40 -150 kV
- Nominal Focal Spot - Large 2 mm, Small 1 mm
- Anode Target Angle - 12 degrees
- Anode Heat Content - 140 kHU
- 1 Year Pro Rated Tube warranty

### Non Elevating Table with 4 way float top

- Electromagnetic brakes and flat fiber resin tablet top; 4 way float top
- Table top deminsions - 84" x 31"
- Moveable reciprocating bucky has a manual electromagnetic locking system
- 2 emergency stop buttons mounted on the table
- 600 LBS table rating
- 35" table top height, 19" - 35" elevating travel, 110 VAC, 60Hz  
(12' line cable with 100VAC plug is provided)

### Manual LED/Laser Collimare Collimator - 1 Year Manufacturer's Parts warranty

### Exposure Hand Switch

### 20' High Voltage Cables with federal terminals on both ends

## MasterX 14x17" Cassette-sized Wireless Cesium DR System

- 14"x17" CsI detector, 2 Batteries and Battery charger
- 14x17 Active area (Real Image Size) <1 second acquisition time
- Dell 1TB PC with 24" LED Monitor
- Core i5; DVD drive, WIN 10 64-bit, 8 GB RAM, 1TB HD
- Detector Dimensions: 358 x 460 x15 mm
- 16 bit depth - 65,535 shades of gray
- CsI Direct Deposition, low dose Imaging
- 140µm Pixel Pitch
- Lossless AED
- IP54 rated panel - dust and water resistant
- Weight 6.5 lb
- 5 year Manufacturers parts warranty on Detector
- Dell 1 year warranty, Next Business Day Onsite After Remote Diagnosis, 1 year on Dell monitor



## Voyance Acquisition & Voyance PACS

Voyance Acquisition and PACS Software with 10 viewing licenses and 1 year remote support

- All Body parts With All Required Techniques
- Exam-specific algorithms image processing
- Automatic image optimization
- Edit existing patient information/search patient by patient name, patient ID, Accession #
- True size for printing
- Resend / Reprint image
- Send/Print queue management
- User-friendly touch GUI
- Auto Cropping, Grid Suppression, Auto-Labeling, Auto-Rotation, Free Rotation, Multi Layout
- Fully DICOM 3.0 Compatible: MWL, Send, Print, MPPS, etc.
- Customized functions and various themes
- Emergency Mode Accessible at All Times with Single Click.
- Support Continuous Exposures.
- Edit Existing Patient Information/Search Patient by Name, ID, Accession Number.
- Side by Side Image Comparison.
- Dicom Send, E-mail or Burn Images Over CD/DVD
- Support Multi Format Image Export
- Move and Copy Images between Studies.
- Supporting Up to 4 Digital Detectors Including One Digital Dental Sensor.
- Voyance VPACS Software with up to 10 viewers license included
- Remote training provided by TI-BA



Exclusive Distributor of Mediatech USA Products

### TI-BA Enterprises, Inc.

25 Hytec Circle  
Rochester, NY 14606  
Tel (585) 247-1212

[sales@ti-ba.com](mailto:sales@ti-ba.com)

[www.ti-ba.com](http://www.ti-ba.com)