

History

- 2003**
Sep. Company Established (Poi-dong, Gangnam-gu, Seoul, Korea)
- 2005**
Jan. Asan Medical Center Main Office Relocation
Oct. Venture Business Certification
- 2007**
Mar. Launched X-ray Generator
- 2008**
Jan. Launched GXR-S Series
- 2009**
Jan. Head Office and Factory Relocation (Guro-gu, Guro-dong, Seoul, Korea)
- 2010**
Jan. Launched DIAMOND Series
Jun. Launched MXR-35
- 2012**
Jun. Head Office and Factory Relocation (Gwangmyeong-si, Gyeonggi-do, Korea)
- 2013**
Jan. Launched Diagnostic DR System GXR-SD, ACQUIDR
Sep. Won Turkish Ministry of Health tender for 62 units of DIAMOND System
- 2014**
Nov. Launched Mobile DR TOPAZ
Dec. Won \$10 Million Export Award
- 2015**
Feb. Completion of Gumi Factory
Jul. Won Turkish Ministry of Health tender for \$8 Million of DIAMOND and TOPAZ
- 2016**
Jan. Chinese Subsidiary Established
Dec. Won Turkish Ministry of Health tender for \$11 Million
Won \$20 Million Export Award
- 2017**
Jan. Achieved cumulative export of \$100 Million
Aug. Won Tunisia Ministry of Health tender for \$1.7 Million
Dec. Won \$30 Million Export Award
- 2018**
May. GXR total of 10,000 units shipped
Nov. Listed on KOSDAQ
- 2019**
Oct. All products with FDA 510K approval
- 2020**
May. Selected as UNOPS supplier
- 2021**
May. TOPAZ, JADE ANVISA approval
Jul. America Subsidiary Established

DRGEM PRODUCT LINE


*The Best Partner
for your X-ray System*


DRGEM Corporation

DRGEM Corporation is one of the **world's leading manufacturers** of diagnostic radiography systems, specializing in high frequency x-ray generators, conventional radiography systems, and digital radiography systems. DRGEM's products have CE, FDA, CSA and USTC certification **demonstrating their exceptional quality and reliability.** DRGEM is currently exporting to over 120 countries and has an annual production base of 5,000 units of x-ray generators and 4,000 units of diagnostic x-ray systems.

DRGEM aims to achieve continuous customer satisfaction by developing systems with high image quality at low doses, focusing on product quality, manufacturing technology and prompt, reliable service, with a **broad range of highly customizable systems at more competitive prices.**

DRGEM is the best partner for your x-ray business.

 **Head Office/R&D** 7F, E-B/D, Gwangmyeong Techno-Park, 60 Haan-ro, Gwangmyeong-si, Gyeonggi-do, Korea [14322]

 **Gumi Factory** 116-59, Sanho-daero, Gumi-si, Gyeongsangbuk-do, Korea [39377]

DRGEM
Your Best Healthcare

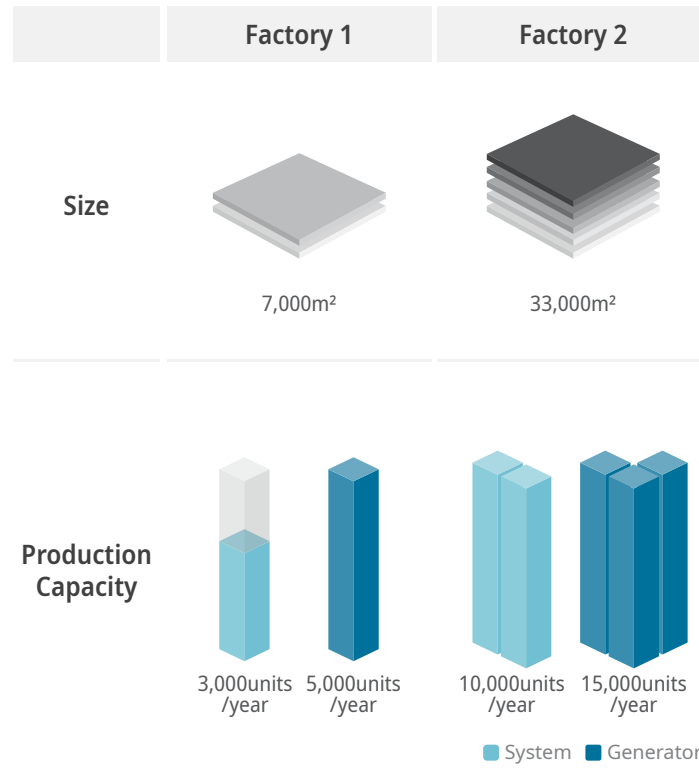


DRGEM
Your Best Healthcare



© DRGEM Corporation - All rights reserved.
Reproduction in whole or in part is prohibited without the written consent of the copyright-holder.
Specifications and features are subject to change without notice.
All changes will be in compliance with regulations governing manufacture of medical equipment.

DRGEM Factory



X-ray Generator



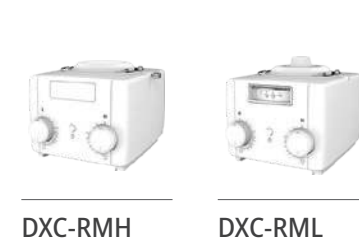
Console



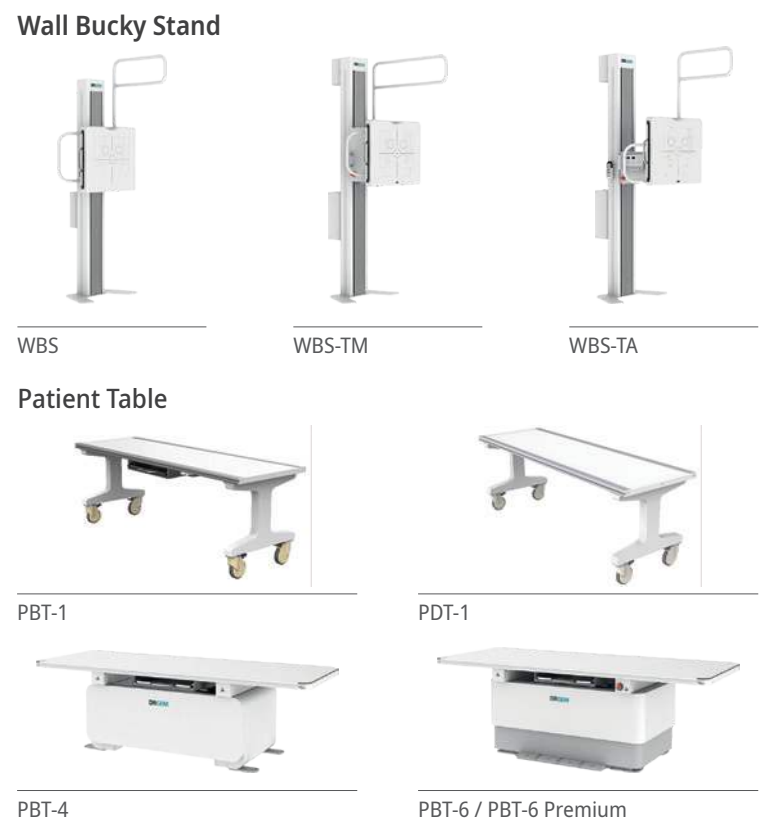
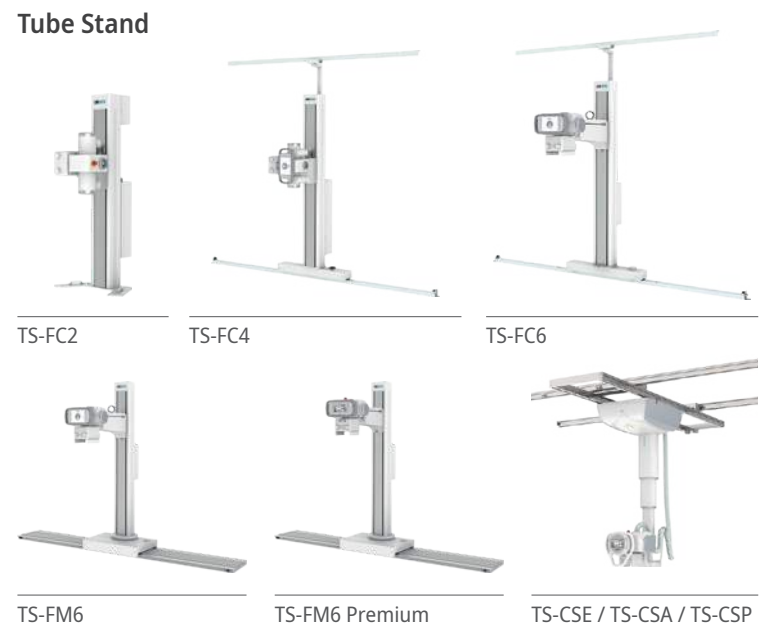
X-ray Tube



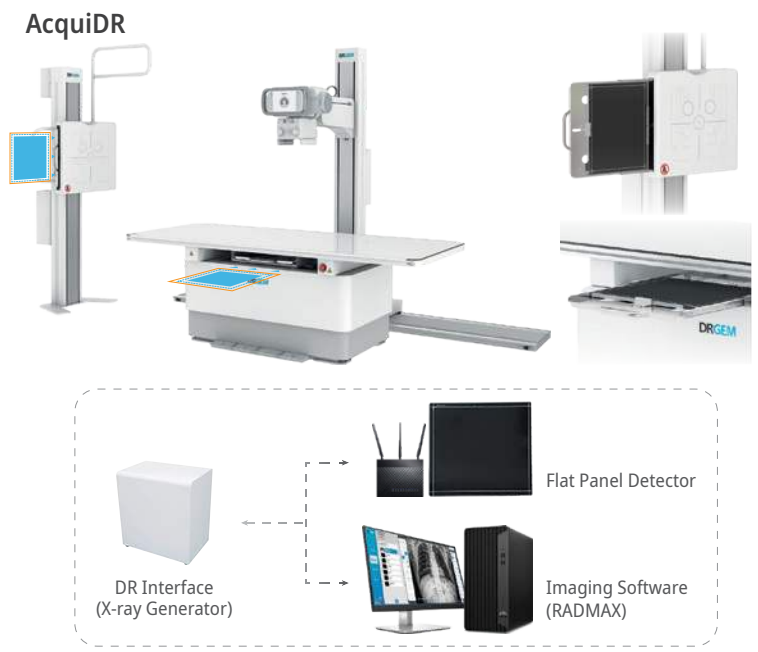
X-ray Collimator



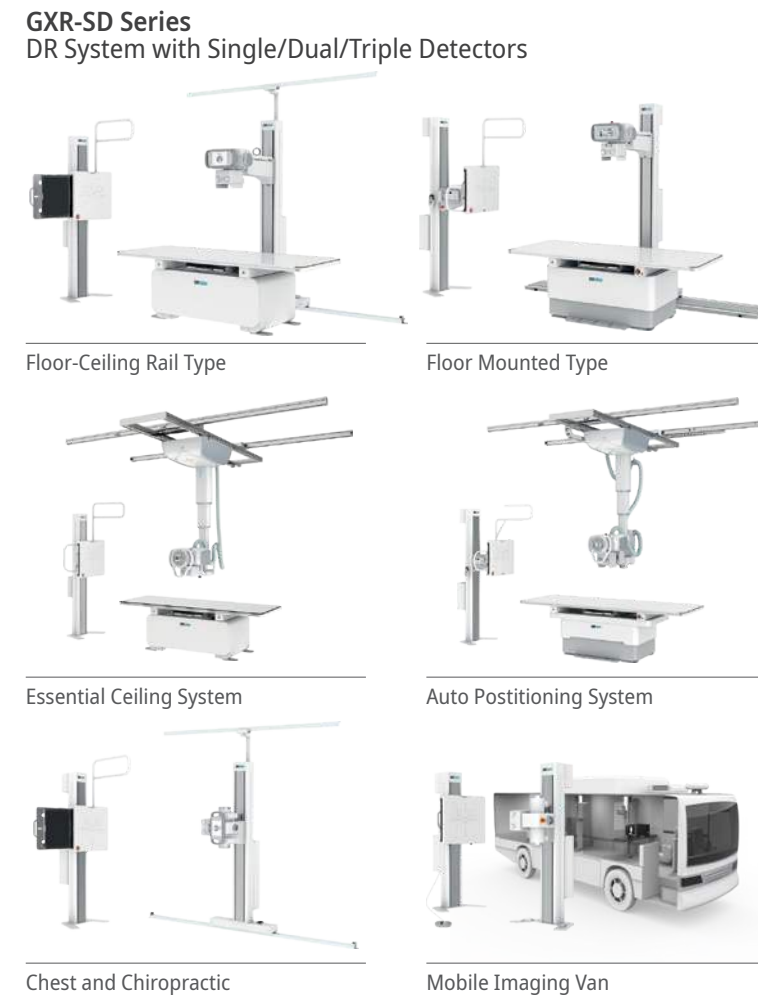
Conventional Radiography System



DR Upgrade Solution by Retrofit



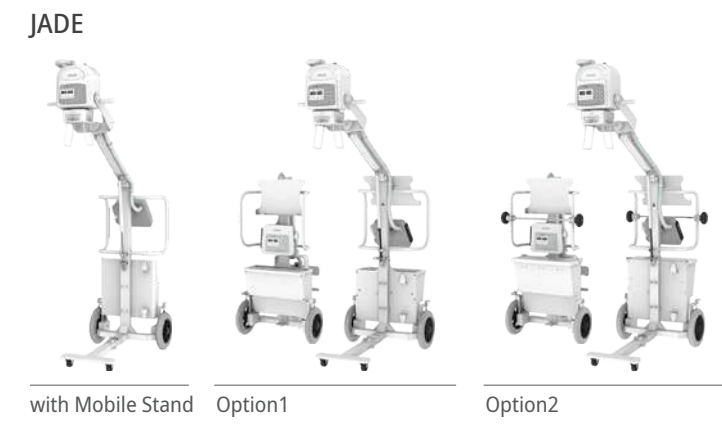
Digital Radiography System



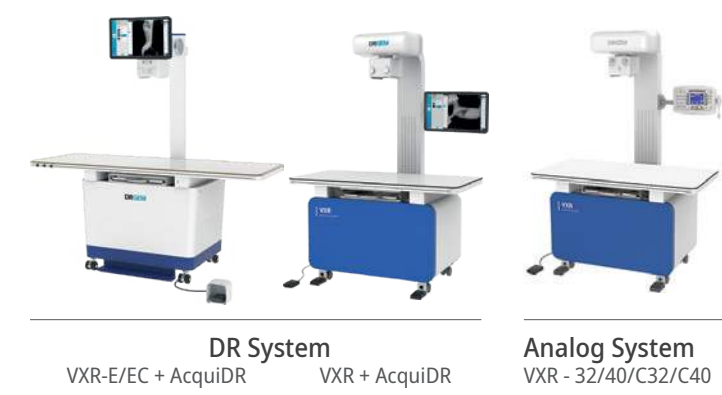
Mobile DR System



Portable X-ray System



Veterinary X-ray System



For more information,
please visit drgem.co.kr