

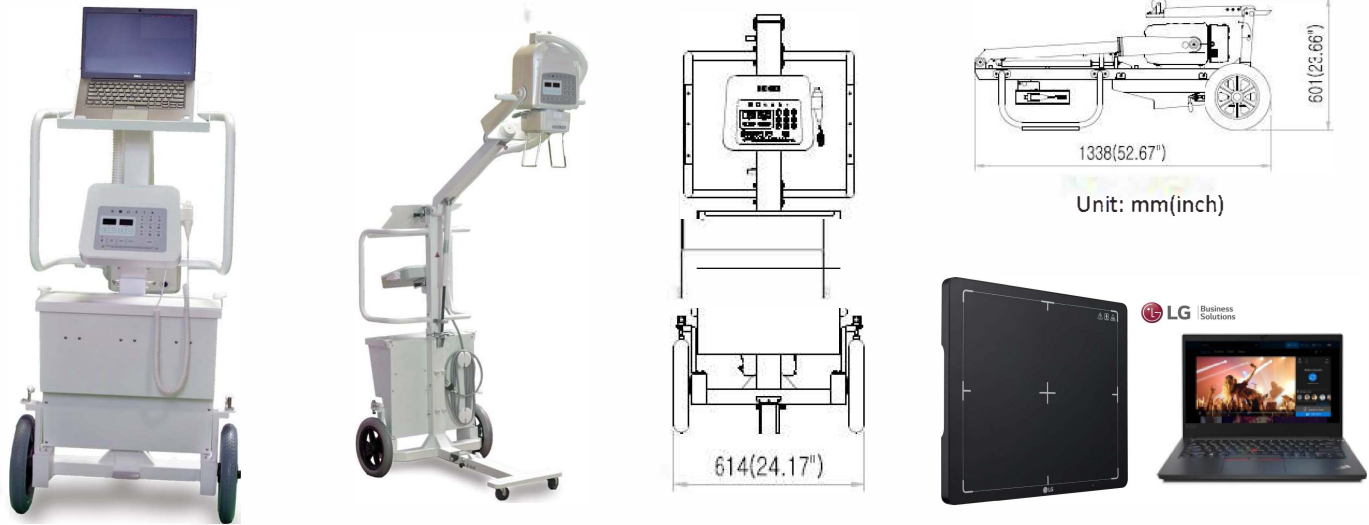
The Portable X-ray Solution

# JADE Mobile



# The JADE Mobile Solution

JADE is a powerful, innovative, highly versatile portable X-ray system suitable for a variety of clinical uses. With a simple, easy-to-use operator console, two-step foldable stand and auto lock system, JADE is one of the most user-friendly portable X-ray systems on the market today. When combined with the versatile LG 14x17" Wireless DR system, users are offered an unparalleled, mobile diagnostic system.



## JADE Unit Features

- 4kW High Frequency X-ray Generator
- Maximum 120kVp / 0.1 ~250mAs
- 0.001 to 10 sec Exposure Time Range
- 119 lbs including X-ray unit, collimator and stand
- Maximum height of 7' 5"
- Collimator with 30 second LED lamp timer
- Exposure Hand Switch with 15' cord length
- Foldable, two-step stand
- Vehicle loadable
- Wheel lock
- Automatic tube arm lock at any angle
- User Programmable APR, (up to 9 APR settings)
- Dual Focal Spot of 0.5/1.5mm
- USB interface & Blue-tooth
- 2 year Manufacturer Warranty

## Wireless Panel Features

- LG Gen2 14x17" Wireless DR System
- General Radiography Application
- High Spatial Resolution with 140um pixel array
- 14x17" (35cm x 43cm) Image Size
- 2560 x 3072 pixel size
- 16 bit Gray-scale
- Lithium Ion 4000 mAh battery - 4h (capturing)
- Stable and Reliable Automatic Exposure Detection
- 2 sec (wired) / 4.5 sec (wireless) Acquisition Time
- Panel Dimensions: 15" x 18" x .6"
- Inside AP- Fast Wireless Communication
- Water and Dust Resistance Rating
- Lenovo E-Series 14" Laptop
- LG Advanced Workstation Software (AWS)
- 3 year Panel Manufacturer Warranty

# JADE

## High Frequency Portable Solution with 1417 Wireless Cesium DR Panel

### SPECIFICATIONS:

#### JADE System

- Constant potential kW rating 4.0
- Type Microprocessor controlled High Frequency Inverter
- kVp range 40 to 120 kVp
- mA Range 10 to 100mA, 11
- Exposure time range Step(10,12.5,16,20,25,32,40,50,64,80,100mA)
- mAs range 0.001 - 10 seconds
- X-ray Tube Type 0.1 - 250 mAs, 35Step (in 25% Steps)
- Dual Focal Spot Size Stationary Anode
- X-ray switching frequency .05 / 1.5 mm 100 kHz
- Power Cord Length 15 feet
- Control 2 Point Control (kV, mAs)
- Anatomical Programs Preprogrammed 9 APR data - User Programmable
- Collimator Manual with 19W LED Lightsource and 30 second LED lamp timer
- Stand Foldable, two-step, vehicle loadable with wheel lock
- Tube Arm Automatic tube arm lock at any angle
- Weight 119lbs including X-ray unit, collimator and stand
- Manufacturers Warranty 2 year

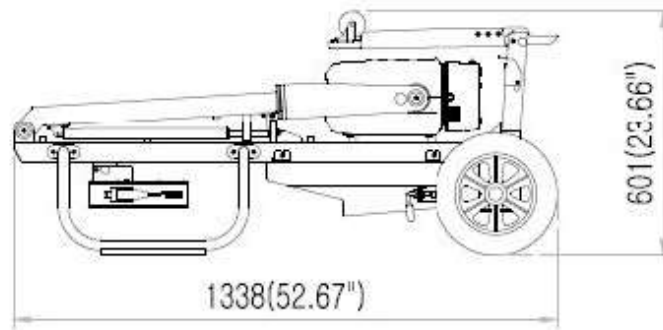
#### LG Gen2 DR Panel and Laptop

- Application General Radiography Application
- Technology Cesium Flat Panel Detector : a-Si TFT with photodiode
- Image Size 14 x 17 inches (35.8cm x 43.0cm)
- Pixel Pitch 140um
- Pixels 2,560 x 3,072 pixels
- Acquisition Time 1.5 sec (wired) / 2 sec (wireless)
- Greyscale 16 bit
- X-ray Generator Interface Auto trigger: AED (Automatic Exposure Detection) Mode
- Dimensions 15" x 18" x .06"
- Laptop Intel Core i5-1135G7, 256GB SSD SATA III, 8GB RAM
- Communication Inside AP Wireless Communication
- Software LG Advanced Workstation Software (AWS)
- Manufacturers Warranty 3 years

# JADE

## High Frequency Portable Solution with 1417 Wireless Cesium DR Panel

### DIMENSIONS:



Unit: mm(inch)

