

**QUALITY**  
**PRICE**  
**Performance**  
*Pick three!*



# Keep the harm out

LUMEN family maintains Varex's class leading IP68 ingress protection

Unique housing material for drop protection (and lightweight)

High Point Load Protection



# Eliminate things that can break



Capacitive power switch (no mechanical parts)

Super-cap available to eliminate removable battery

Simplified electronic design to limit points of failure



# Ergonomics Designed for Demanding Environments



Lightweight materials to minimize weight

Integrated 360° handle to minimize stress when carrying



# Software Options for Faster Integration



Available with Nexus DR for fully integrated Digital Radiography Solution



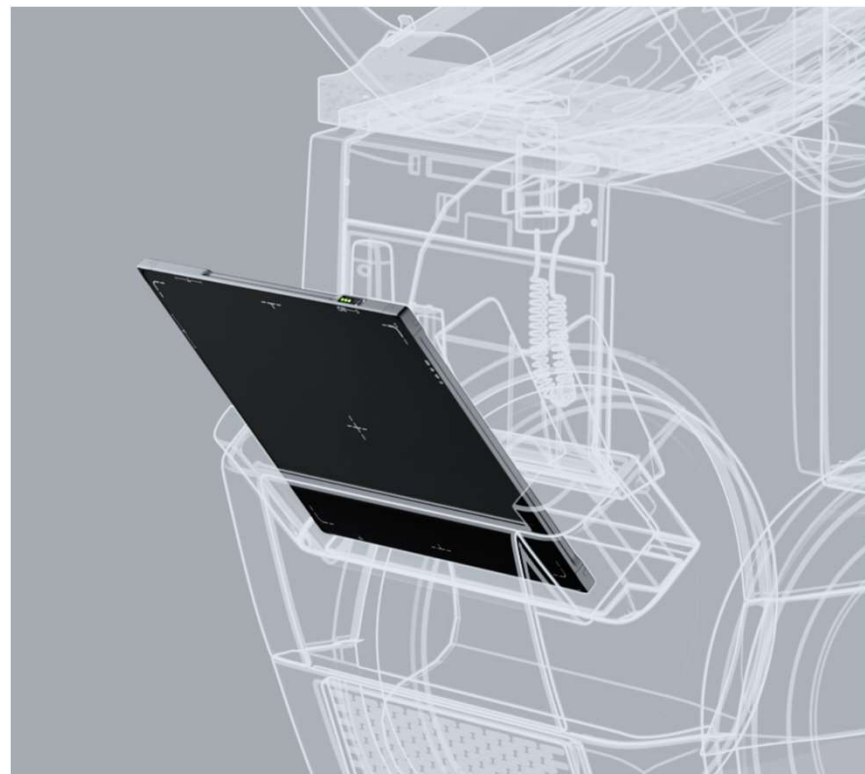


## Power Configurations

Super-cap for faster charging and no removable parts.

Removable battery for most shots between charges.

Tether-only operation for fixed installation.



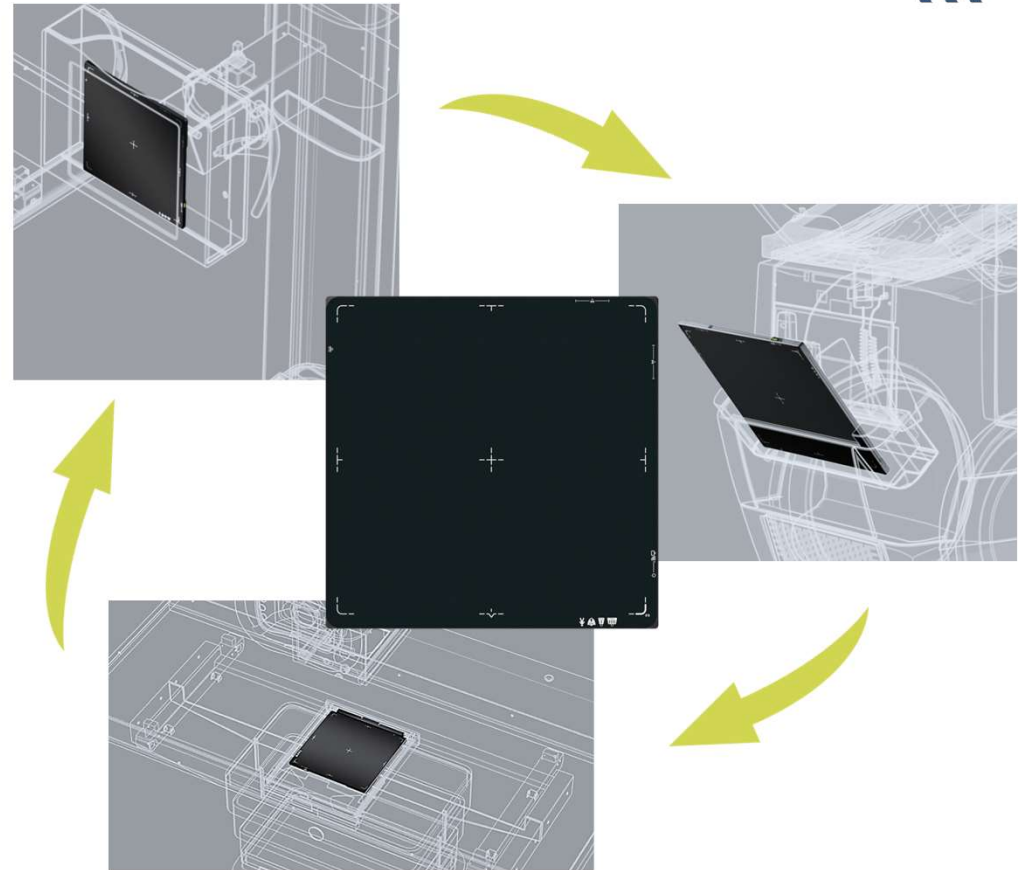
# Data Configurations

Wi-Fi optional\* for fixed installations  
Seamless switching between tether and wireless operation.

Configurable Wi-Fi for Client /  
Access Point / Hotspot modes.

Simple room-sharing key to change  
detector configuration between  
rooms/carts, etc.

\*HD Only





# Designed for Cost of Ownership



Simplified design:  
more reliability with lower cost

Novel materials allow premium  
performance at lower cost

Modular design allows economy of  
scale across many customers and  
applications







## Lower Cost to Deploy

5-year warranty

Simple Room Sharing allows for single detector in multiple slots.

Field replaceable parts.

Common accessories.

Advance Replacement.





# *The Technical Details*

Internal Use Only – Varex Proprietary and Confidential

# LUMEN HD Family



<b>Pixel Size</b>	100 $\mu$ m
<b>IP Rating</b>	68
<b>Wi-Fi</b>	6E
<b>Connection</b>	26-pin

---

<b>Common housing with</b>	360° Handle
	Simple Indicators
	Field Replacement Parts
	Capacitive Power Button

---

<b>Room Sharing</b>	
<b>Gyro</b>	
<b>Warranty</b>	5 Years



# LUMEN HD



**4343W  
Supercap**

**4343W  
Battery**

**4343W  
Tethered**

## IMAGING

<b>Pixel size</b>	-----	100 µm	-----
<b>Matrix or Array Size</b>	-----	4256 x 4256	-----
<b>Array Type</b>	-----	Glass	-----

## POWER

<b>Battery</b>	x	✓	x
<b>SuperCap</b>	✓	x	x
<b>Tether</b>	✓	✓	✓
<b>Hot Swap</b>	N/A	OPTIONAL	OPTIONAL

## DATA

<b>Wi-Fi</b>	-----	Wi-Fi 6E (802.11 ax)	x
<b>Tether</b>	-----	GigE via 26-pin connector	-----
<b>Image Storage</b>	-----	100	-----

## MECHANICAL

<b>IP Rating</b>	-----	68	-----
<b>Drop Height</b>	-----	0.6 m	-----
<b>Weight</b>	2.8 kg	3.1 kg	2.7 kg
<b>Point Load</b>	-----	150 kg	-----
<b>Distribute Load</b>	-----	200 kg	-----





# Uncompromising **VALUE**

