

# Whole spine X-ray series

## DR-1748 Frame

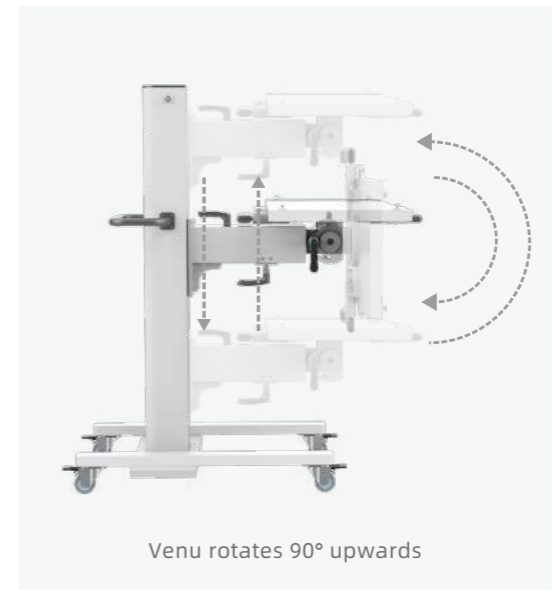


Used in hospitals | medical clinics

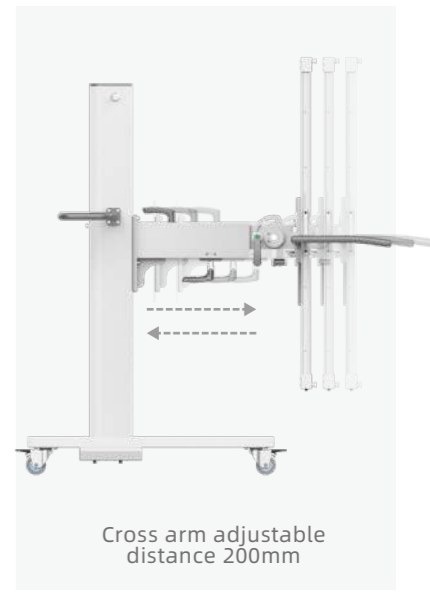
### Product features



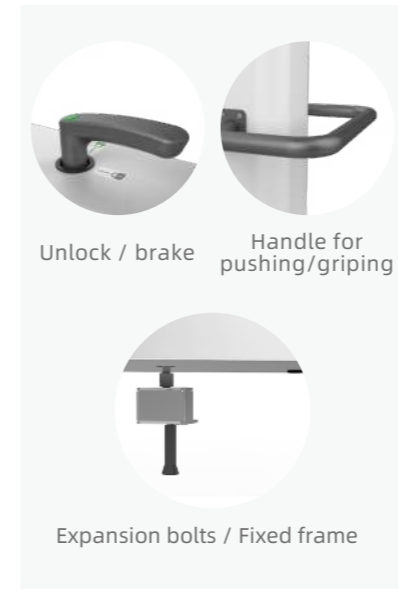
Venu rotates 90° to the right



Venu rotates 90° upwards



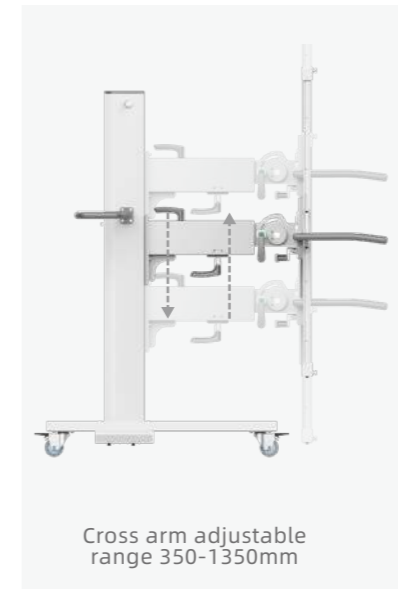
Cross arm adjustable distance 200mm



Unlock / brake Handle for pushing/gripping



Expansion bolts / Fixed frame



Cross arm adjustable range 350-1350mm



Armrests: 90° rotation / 100mm adjustment upwards/downwards

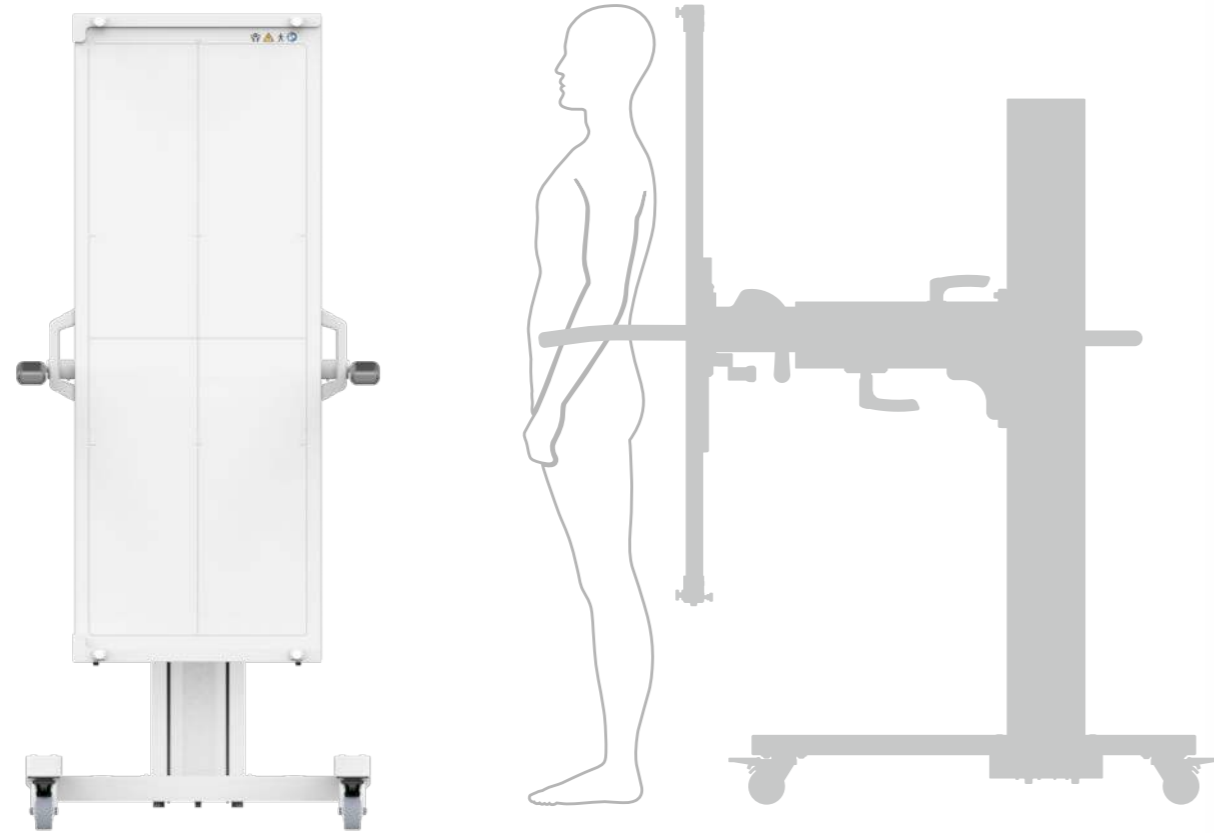
### Introduction

#### Whole spine radiographic imaging system

The DR-1748 Frame optimises the workflow and reduces patient dose. Large-area images can achieve imaging of the entire spine and limbs with a single exposure. Potential risk of suture malposition is eliminated, which increases diagnostic reliability and portability. Images can also be achieved in an upright or supine position. The DR-1748 Frame offers flexible operation, and can be easily connected and synchronised with X-ray equipment.



## Application



## Clinical Images



## Technical Parameters

Model	DR-1748 Frame
<b>Flat Panel Detector</b>	
Type	Venu1748V
Detector Technology	Amorphous Silicon
Spatial Resolution	3.6 lp/mm
Pixel Matrix	3064×8696 pixels
Pixel Pitch	139μm
Active Area	17×48 inch
Data Interface	1G Ethernet
<b>Frame</b>	
Dimension	1102 x 680 x 1511mm
Cross arm adjustable range	350-1350mm
Cross arm adjustable distance	200mm
Armrests	100mm adjustment upwards/downwards / 90°rotation
Rotation	Rotates 90°upwards/ to the right

## Dimension

(Unit: mm)

